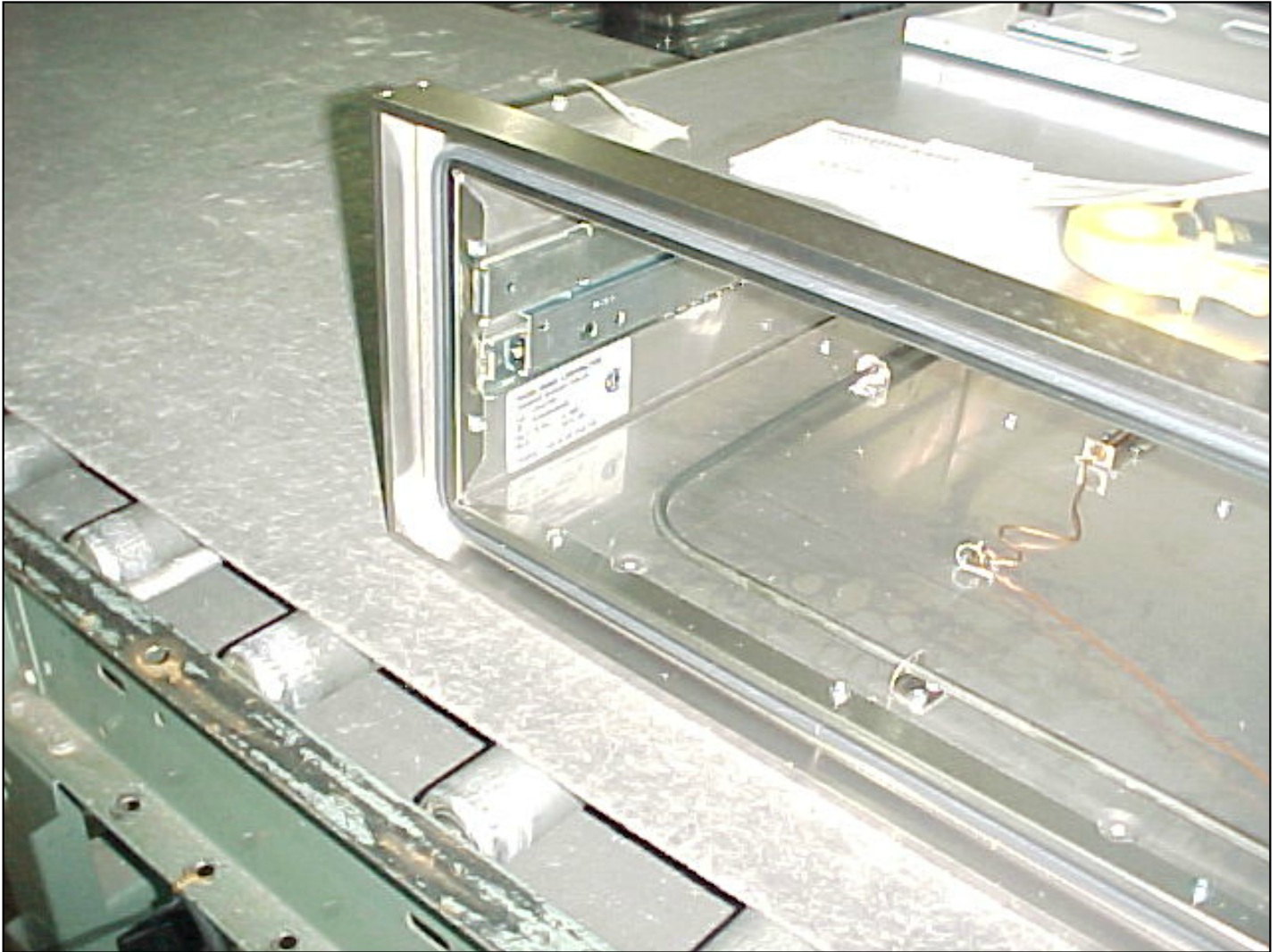


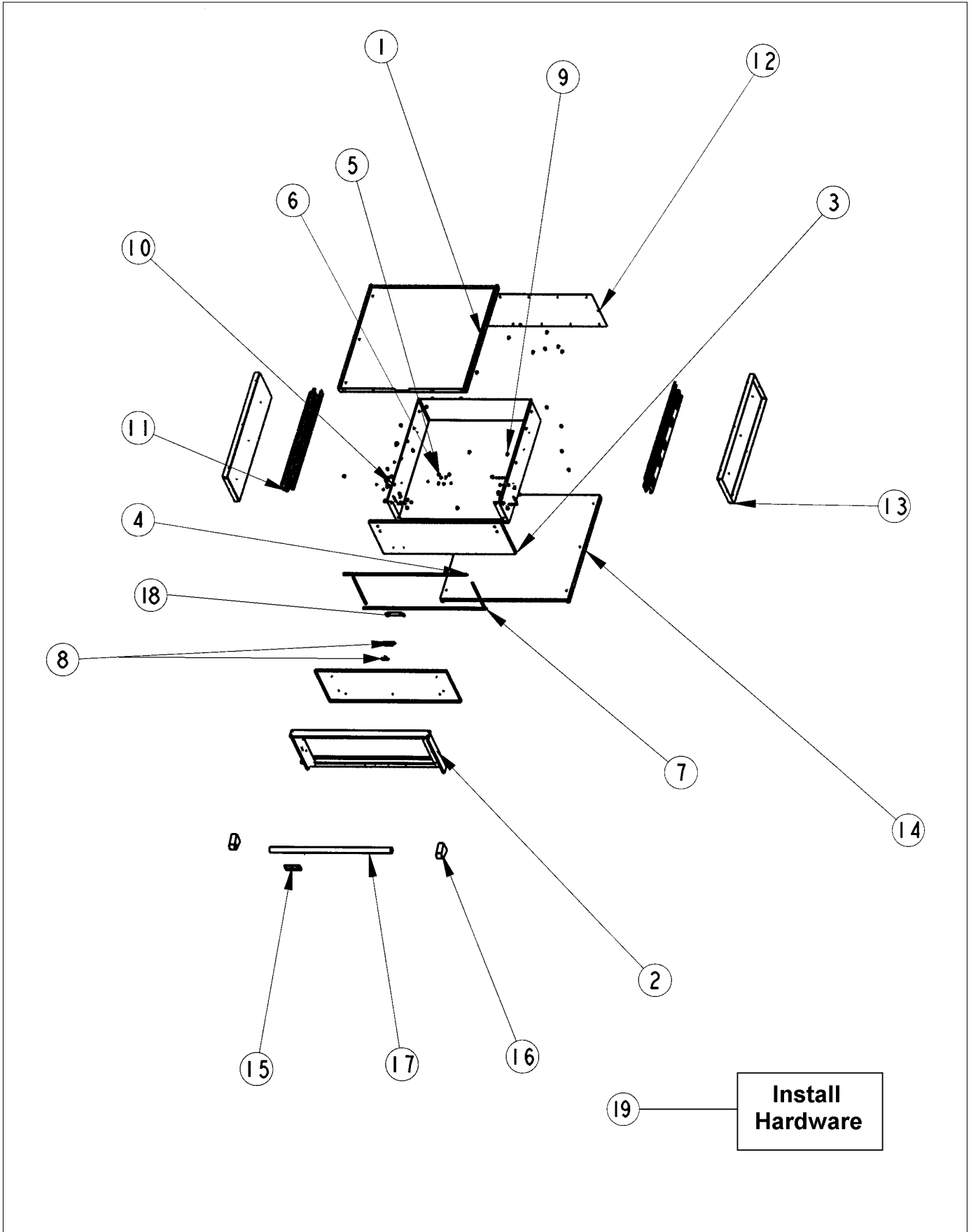
SD170

RATING LABEL LOCATION	1
UNIT COMPONENTS	2
Appendix A:Pages Index	A
Appendix B:Parts Index	B

RATING LABEL LOCATION

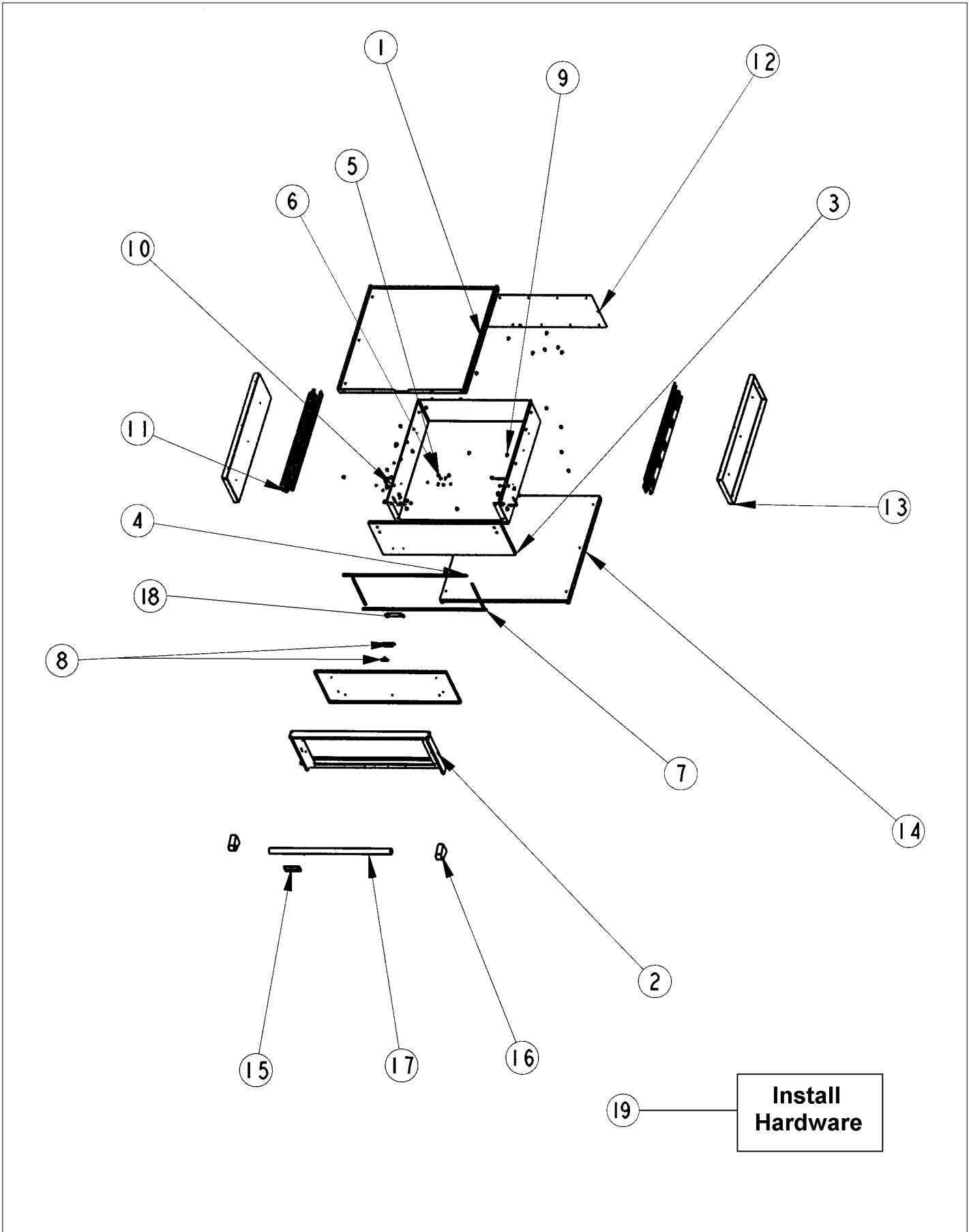


UNIT COMPONENTS





Item	Part No.	Name	Qty	Uom	NOTES
1	G3107637	TOP ASSEMBLY (SD170TSS)	1	EA	NO LONGER AVAILABLE, Not available online / Call for pricing and availability
2	G3207640	TRIM ASSEMBLY 27" (SD170T)	1	EA	NO LONGER AVAILABLE
3	G3207643SS	DRAWER ASSEMBLY 27" (SD170T) *SS*	1	EA	Not available online / Call for pricing and availability
Not Shown	G3207643SSBR	DRAWER ASSEMBLY 27" (SD170T) SSBR	1	EA	NO LONGER AVAILABLE, Not available online / Call for pricing and availability
4	PB070143	GASKET 27"" (SD170T)	1	EA	
5	PD020119	8-32X3/8 PH CTR. MACH.SCREW S.S.	1	EA	
6	PD030098	8-32 HEX KEP NUT S.S.	1	EA	
7	PB070144	SIDE GASKET	1	EA	Not available online / Call for pricing and availability
8	PE050052	CART DOOR LATCH (CH#M22-2420)	1	EA	
9	PD020055	' #10 X 1/2" PAN PHIL. TEK.*SS*	1	EA	
10	PD020120	8 X 1/2 TEK SHEET METAL SCREW	1	EA	
11	PC080010	SLIDE	1	EA	
12	B1007621	STORAGE DRAWER BACK PANEL 27""	1	EA	NO LONGER AVAILABLE, Not available online / Call for pricing and availability
13	B2007618	STORAGE DRAWER SIDE PANEL	1	EA	Not available online / Call for pricing and availability
14	B2007617	TOP/BOTTOM 27"" (SD170T)	1	EA	NO LONGER AVAILABLE, Not available online / Call for pricing and availability
15	PE030178	27" PROF. DOOR HANDLE	1	EA	





Item	Part No.	Name	Qty	Uom	NOTES
Not Shown	PE030115PVD	HANDLE - BR	1	EA	Not available online / Call for pricing and availability
16	000268-000	HANDLE ENDCAP	1	EA	
Not Shown	PE030001PVD	END CAP DOOR HANDLE *BR	1	EA	
17	PE010142	3" VIKING LOGO BLACK/CHROME	1	EA	
Not Shown	PE010143	3" LOGO BK/BR	1	EA	
18	B2007622	LATCH BRACKET-STORAGE DRAWER	1	EA	
19	PD020080	#10 X 1" PH. TRUSS SMS *SS*(AD1820)	1	EA	NO LONGER AVAILABLE
Not Shown	NOTE	Install Hardware - Qty. 4		EA	



Appendix A:Pages Index

RATING LABEL LOCATION1
UNIT COMPONENTS 2



Appendix B:Parts Index

000268-000 2
B1007621 2
B2007617 2
B2007618 2
B2007622 2
G3107637 2
G3207640 2
G3207643SS 2
G3207643SSBR 2
PB070143 2
PB070144 2
PC080010 2
PD020055 2
PD020080 2
PD020119 2
PD020120 2
PD030098 2
PE010142 2
PE010143 2
PE030001PVD 2
PE030115PVD 2
PE030178 2
PE050052 2